

miXtron

SMALL DROPS FOR A BETTER WORLD

WATER POWERED
DOSING PUMP





Mixtron is a young family-owned business with its head quarter based in Reggio Emilia (Italy) born as a result of over 50 years of experience in the precision mechanics, power transmission and hydraulic components sectors.

Mixtron provides not just a technical and technological solution for each industry but a one-of-a-kind system design and customer care service thanks to a significant ability to interpret customers' needs and market trends.

Due to an extensive sales network and associates in various application fields, **Mixtron** has developed a wide range of products for the Metalworking, Fertilization, Irrigation, Car Washing, Food and Beverage, Chemical and Printing industries.



WHAT IS IT?

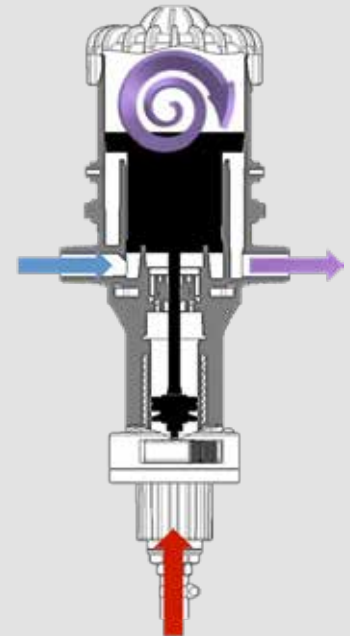
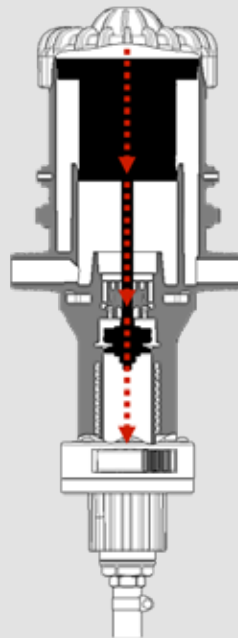
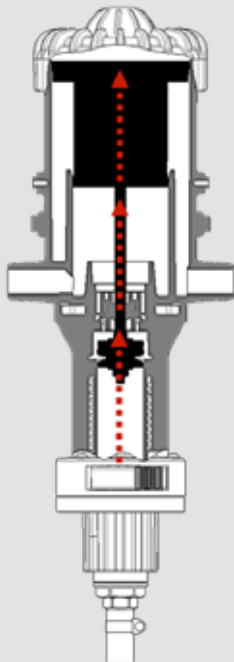
Mixtron pump is a dosing and mixing hydraulic system installed directly in the water supply line that allows users to create an homogenised solution always proportional to the volume of water regardless of changes in flow or pressure.

HOW DOES IT WORK?

1 The water flow activates Mixtron pump

2 The additive at the desired percentage is mixed to water creating an homogenised solution

3 The solution is pushed downstream by the water pressure



WATER TREATMENT APPLICATIONS

Whether a drinking water, water purification, osmosis or desalination system, precision and constant additive mixing is a crucial part of the treatment and final results. These are the priorities that led us create a product that exceeds the technical and quality standards of proportional volumetric dosers now on the market. Thanks to its easy installation and small size, our MXW series is the best choice for those who must guarantee accurate additive dosing and constant operations over time using water pressure and flow as the sole driving forces.

Mixtron's proportional dosing pumps are able to dose treatments such as:

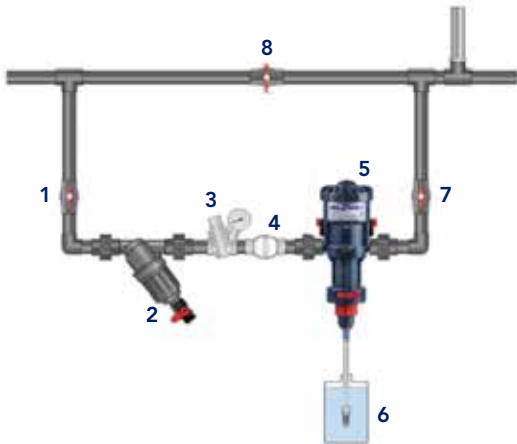
- ◆ Chlorine
- ◆ Sanitizers
- ◆ pH Stabilisers
- ◆ Minerals
- ◆ Ozone

FEATURES

- ◆ Quick and easy to install
- ◆ No engine, water powered
- ◆ Low maintenance
- ◆ Robust and durable (AISI 316 metal components and springs)
- ◆ Operating temperature thermometers
- ◆ Dosing ratio easily adjusted
- ◆ Cleaning inlets
- ◆ Max additive viscosity 400 cSts at 25° C [77 °F]



SUGGESTED **INSTALLATION** FOR WATER TREATMENT APPLICATIONS



- | | | | |
|---|-------------------------------|---|--------------------|
| 1 | Cock – Supply Line | 5 | Mixtron's Doser |
| 2 | Water Filter
(60-130 mesh) | 6 | Additive Tank |
| 3 | Pressure
Regulator | 7 | Cock - Outlet Line |
| 4 | Check Valve | 8 | By-Pass Valve |

PRODUCT RANGE

MODEL	FLOW RANGE
-------	------------

MXW.075	0,005 - 0,75 m3/h 5 - 750 l/h
----------------	----------------------------------

MODEL	FLOW RANGE
-------	------------

MXW.150	0,005 - 1,50 m3/h 5 - 1500 l/h
----------------	-----------------------------------

MODEL	FLOW RANGE
-------	------------

MXW.250	0,01 - 2,50 m3/h 10 - 2500 l/h
----------------	-----------------------------------

MODEL	FLOW RANGE
-------	------------

MXW.300	0,01 - 3,00 m3/h 10 - 3000 l/h
----------------	-----------------------------------



DOSING RATIO

0,03 - 0,2 %	0,2 - 2%	0,5 - 4%	1 - 5%	1 - 10%
1:3000 - 1:500	1:500 - 1:50	1:200 - 1:25	1:100 - 1:20	1:100 - 1:10



MIXTRON srl

Via Curiel 7 - 42025 Cavriago - RE - Italy - Tel. +39 0522 944330

email: info@mixtron.it - web: www.mixtron.it