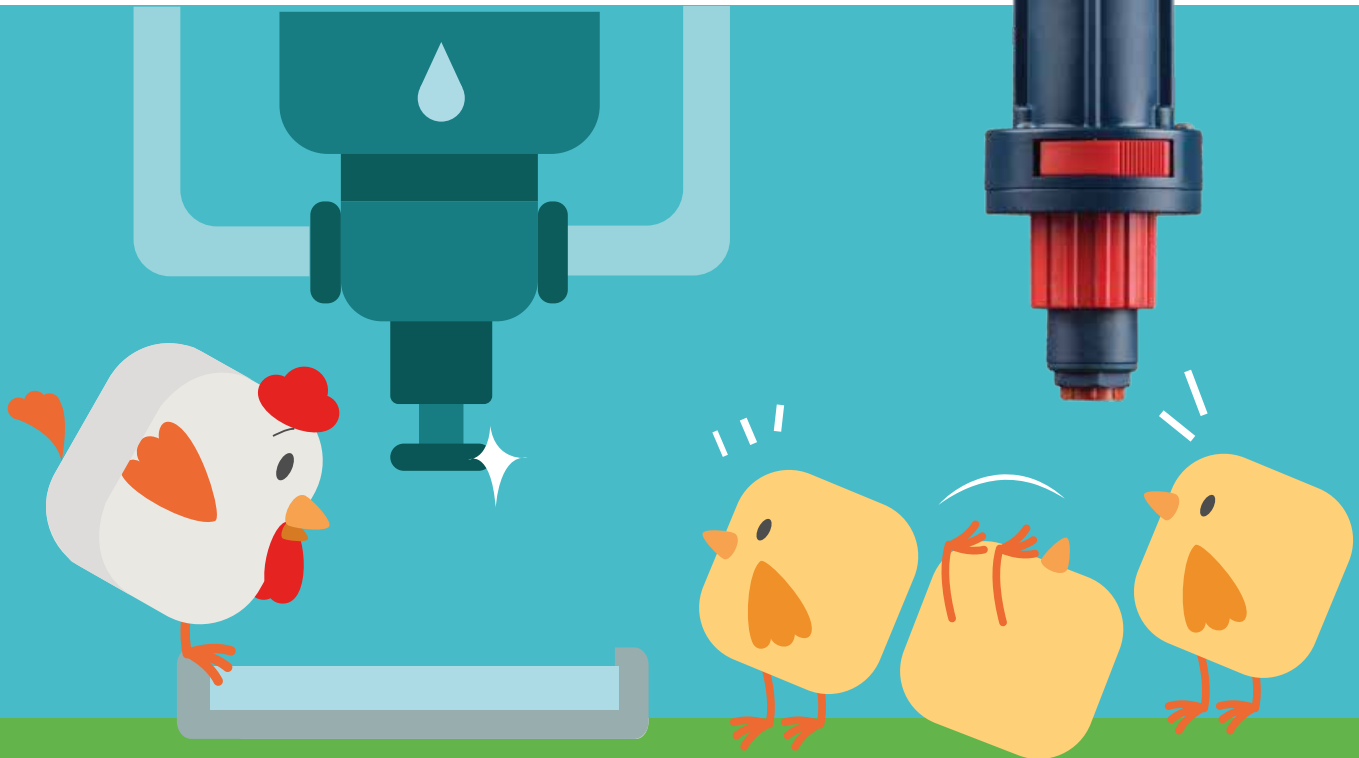


# miXtron

SMALL DROPS FOR A BETTER WORLD

WATER POWERED  
MEDICATOR and MIXER





**Mixtron** is a young family-owned business with its head quarter based in Reggio Emilia (Italy) born as a result of over 50 years of experience in the precision mechanics, power transmission and hydraulic components sectors.

**Mixtron** provides not just a technical and technological solution for each industry but a one-of-a-kind system design and customer care service thanks to a significant ability to interpret customers' needs and market trends.

Due to an extensive sales network and associates in various application fields, **Mixtron** has developed a wide range of products for the Metalworking, Fertilization, Irrigation, Car Washing, Food and Beverage, Chemical and Printing industries.



## WHAT IS IT?

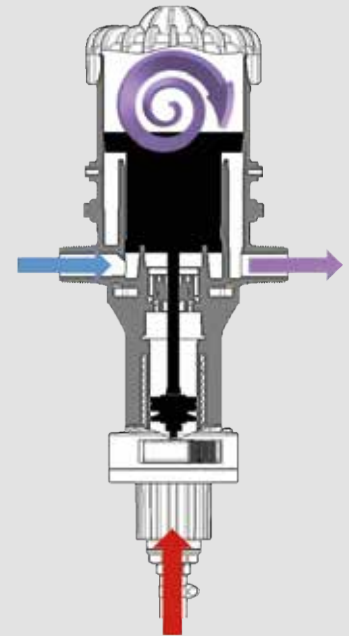
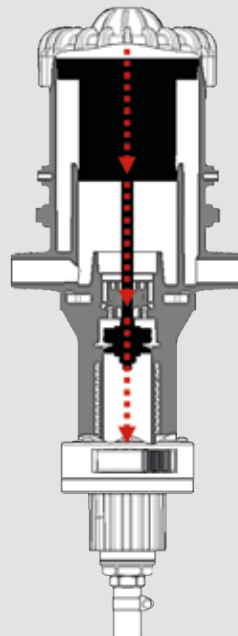
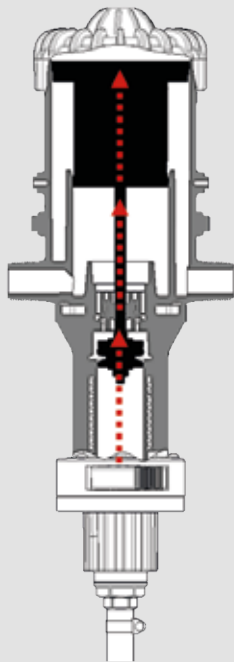
**Mixtron** medicator is a dosing and mixing hydraulic system installed directly in the water supply line that allows users to create an homogenised solution always proportional to the volume of water regardless of changes in flow or pressure.

## HOW DOES IT WORK?

1 The water flow activates Mixtron medicator

2 The additive at the desired percentage is mixed to water creating an homogenised solution

3 The solution is pushed downstream by the water pressure



## LIVESTOCK APPLICATIONS

Any breeder knows how important correct and constant doser percentages are for their livestock's well-being. With our products, we are able to provide technical and innovative solutions that guarantee maximum dosing precision in any conditions of use and installation. Mixtron dosers, specific to the livestock industry, were designed and perfected by technicians and veterinarians specialised in livestock and substance dosage and preparation (vitamins, antibiotics, probiotics, minerals, vaccines) to guarantee health and correct development and growth. Mixtron dosers are equipped with safety systems designed to alert the user when the working temperature reaches levels that could jeopardise correct operations.

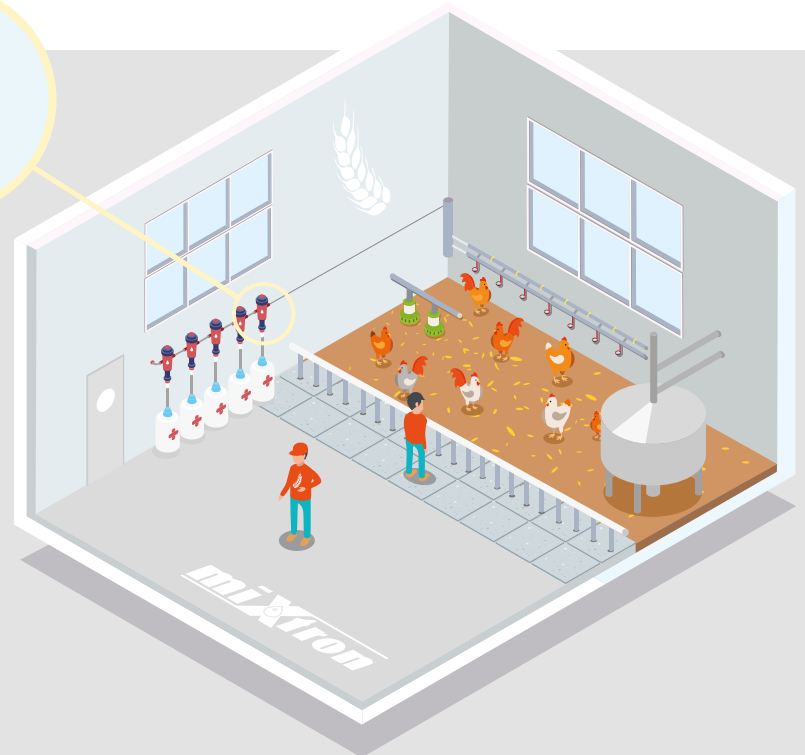
Mixtron's proportional dosing pumps are able to dose treatments such as:

- ◆ Antibiotics
- ◆ Vaccines
- ◆ Sanitizers
- ◆ Glycols
- ◆ Prebiotics
- ◆ Chlorine
- ◆ Vitamins
- ◆ Minerals
- ◆ Supplements

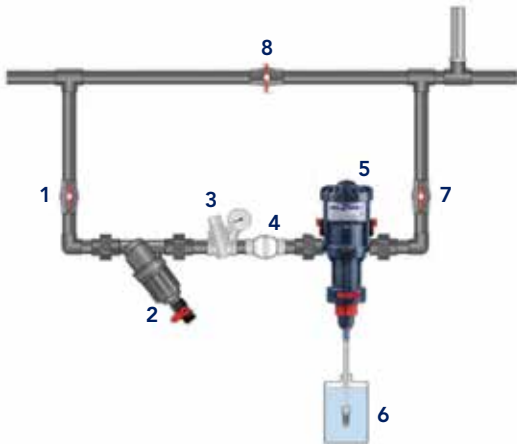


### FEATURES

- ◆ Quick and easy to install
- ◆ No engine, water powered
- ◆ Low maintenance
- ◆ Robust and durable (AISI 316 metal components and springs)
- ◆ Operating temperature thermometers
- ◆ Dosing ratio easily adjusted
- ◆ Cleaning inlets
- ◆ Max additive viscosity 400 cSts at 25° C [77 °F]



## SUGGESTED **INSTALLATION** FOR LIVESTOCK APPLICATIONS



- |   |                               |   |                    |
|---|-------------------------------|---|--------------------|
| 1 | Cock – Supply Line            | 5 | Mixtron's Doser    |
| 2 | Water Filter<br>(60-130 mesh) | 6 | Additive Tank      |
| 3 | Pressure<br>Regulator         | 7 | Cock - Outlet Line |
| 4 | Check Valve                   | 8 | By-Pass Valve      |

## PRODUCT RANGE

MODEL	FLOW RANGE
-------	------------

<b>MX.075</b>	0,005 - 0,75 m3/h 5 - 750 l/h
---------------	----------------------------------

MODEL	FLOW RANGE
-------	------------

<b>MX.150</b>	0,01 - 1,50 m3/h 10 - 1500 l/h
---------------	-----------------------------------

MODEL	FLOW RANGE
-------	------------

<b>MX.250</b>	0,01 - 2,50 m3/h 10 - 2500 l/h
---------------	-----------------------------------

MODEL	FLOW RANGE
-------	------------

<b>MX.300</b>	0,01 - 3,00 m3/h 10 - 3000 l/h
---------------	-----------------------------------



### DOSING RATIO

0,03 - 0,3 %	0,2 - 2%	0,5 - 4%	1 - 5%	1 - 10%
1:3000 - 1:350	1:500 - 1:50	1:200 - 1:25	1:100 - 1:20	1:100 - 1:10



**MIXTRON srl**

Via Curiel 7 - 42025 Cavriago - RE - Italy - Tel. +39 0522 944330  
email: [info@mixtron.it](mailto:info@mixtron.it) - web: [www.mixtron.it](http://www.mixtron.it)