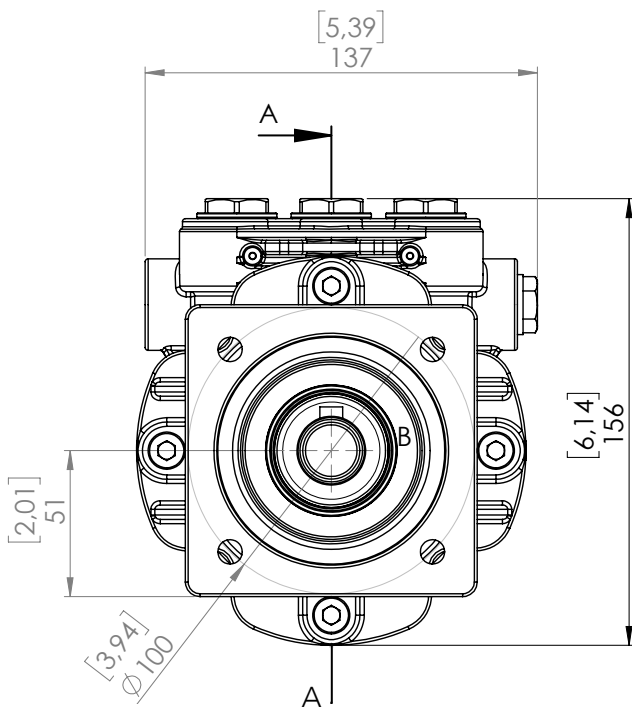
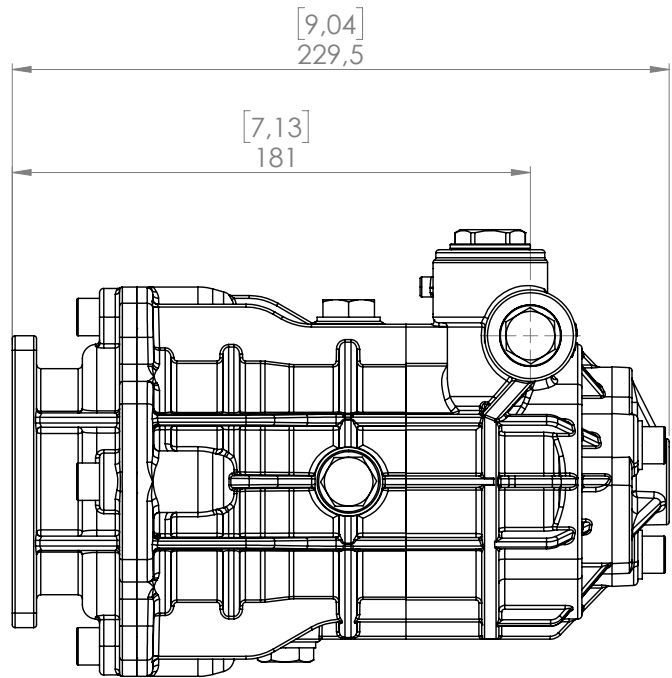
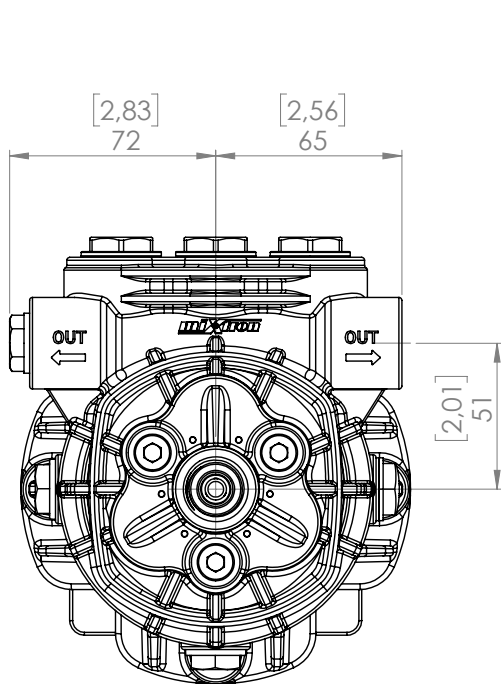




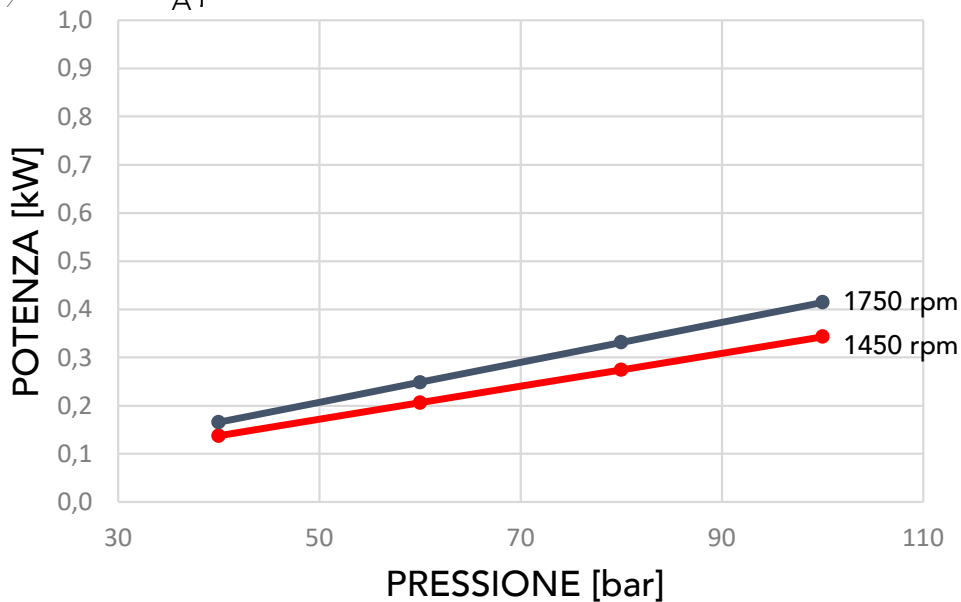
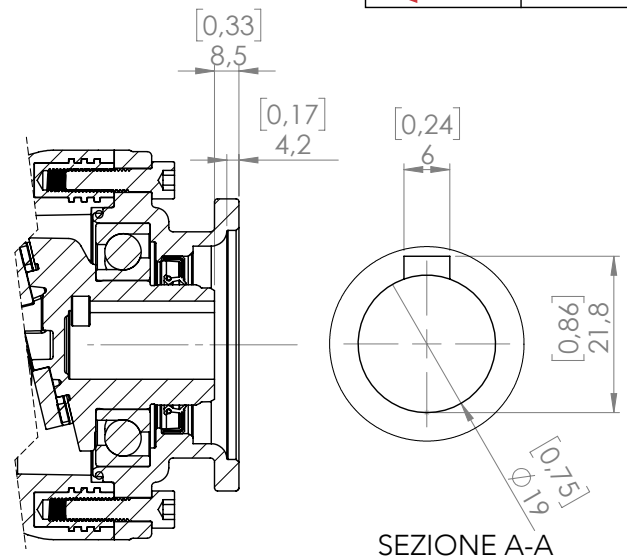
# Alpha 1.1.100.D19

MEC 80






codice/code 9301110



	INLET	G1/2" - F
	OUTLET	G3/8" - F



## DATI PRESTAZIONALI / PERFORMANCES DATA

	Pressione/Pressure	bar	100	
		psi	1450	
	Giri/RPM	50 Hz	1450	
		60 Hz	1750	
	Portata/Flow rate	50 Hz	l/min	1
			gpm	0.3
		60 Hz	l/min	1.5
			gpm	0.4
	Motore/Engine	50 Hz	Hp	0.5
			Kw	0.36
		60 Hz	Hp	0.6
			Kw	0.4
	Peso/Weight	Kg	5	
		lbs	11.0	

