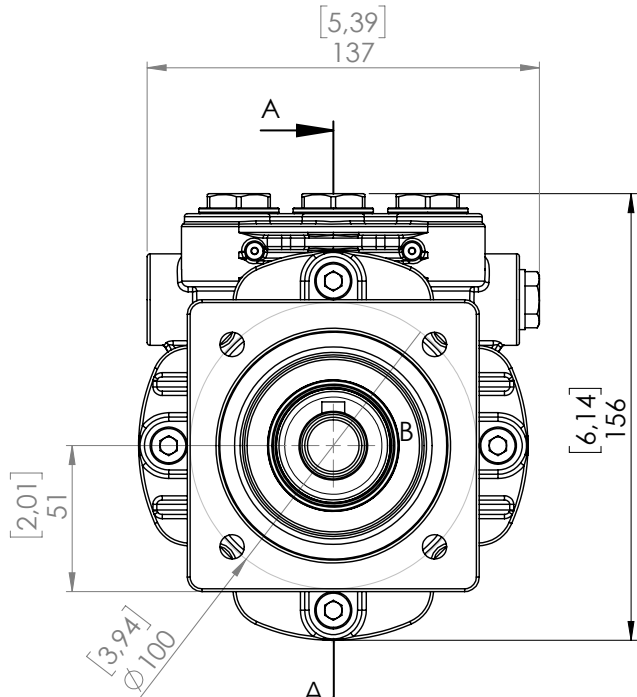
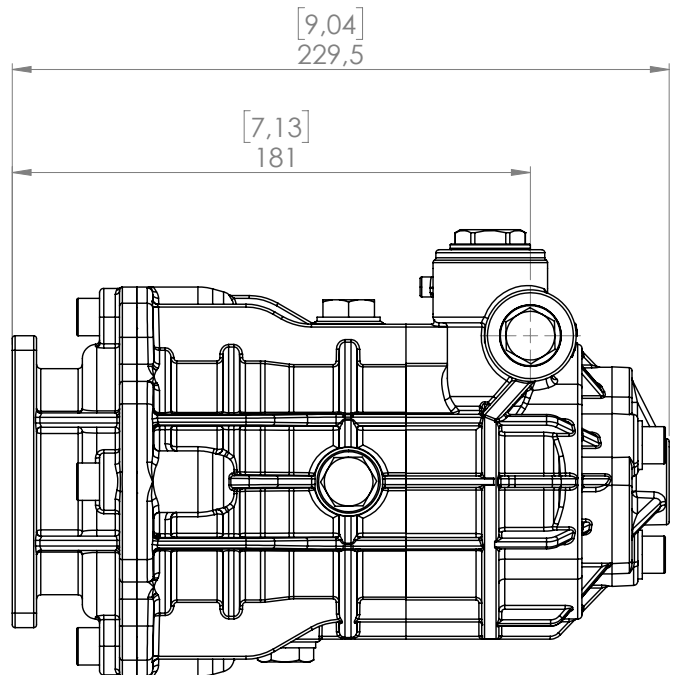
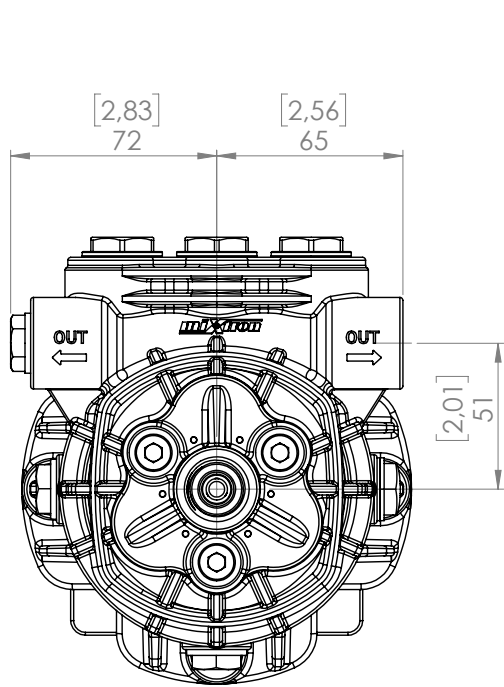




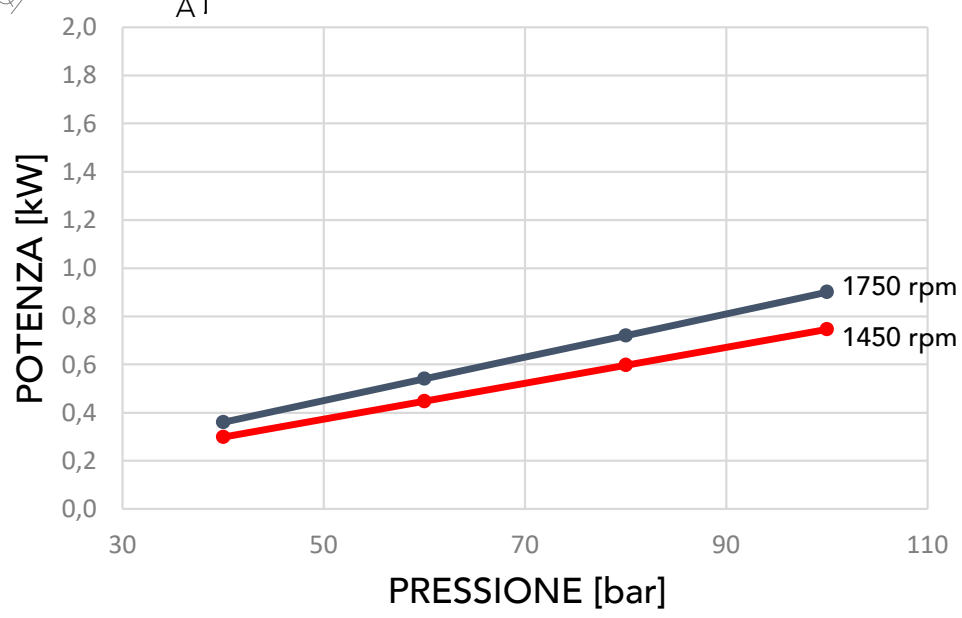
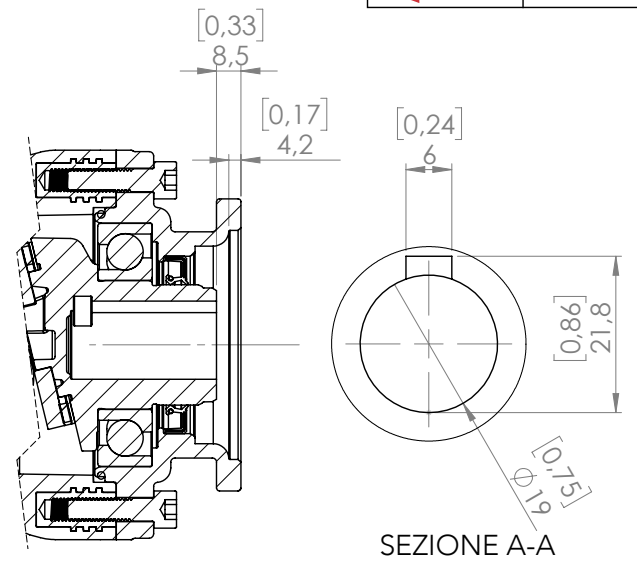
Alpha 1.2.100.D19

MEC 80

codice/code 9301210



	INLET	G1/2" - F
	OUTLET	G3/8" - F



DATI PRESTAZIONALI / PERFORMANCES DATA

	Pressione/Pressure	bar	100	
		psi	1450	
	Giri/RPM	50 Hz	1450	
		60 Hz	1750	
	Portata/Flow rate	50 Hz	l/min	2
			gpm	0.5
		60 Hz	l/min	2.2
			gpm	0.6
	Motore/Engine	50 Hz	Hp	0.5
			Kw	0.4
		60 Hz	Hp	0.6
			Kw	0.44
	Peso/Weight	Kg	5	
		lbs	0.11	

