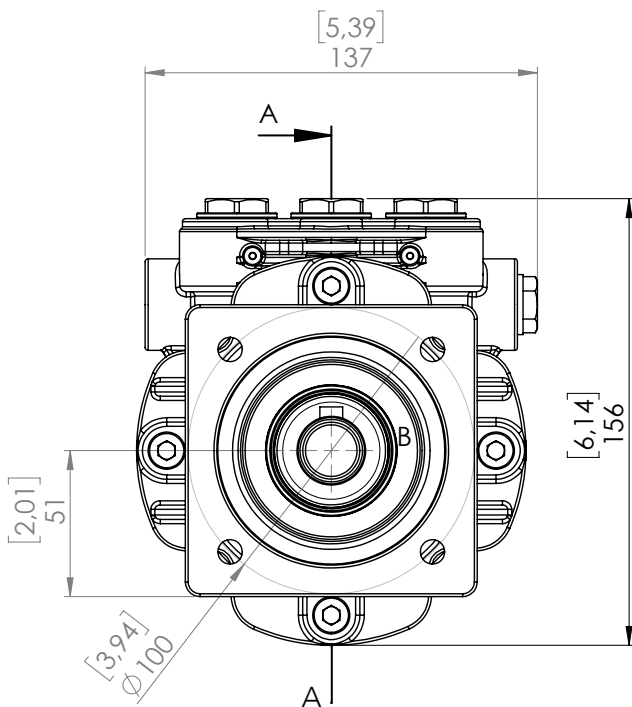
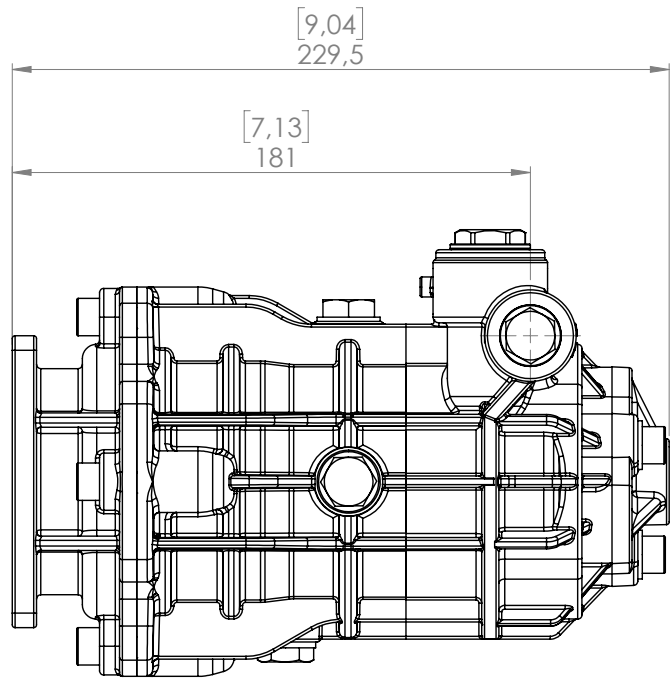
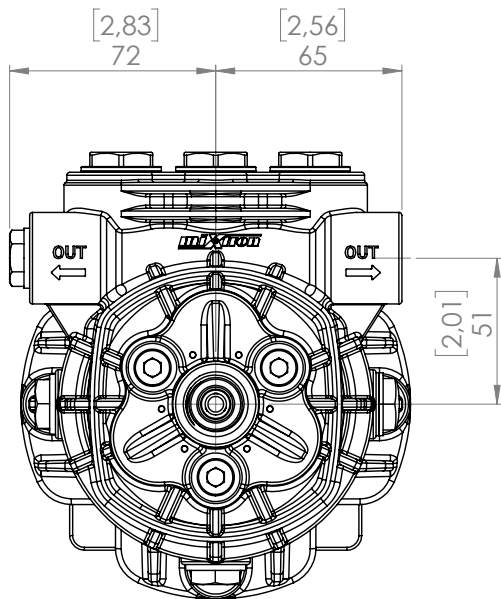




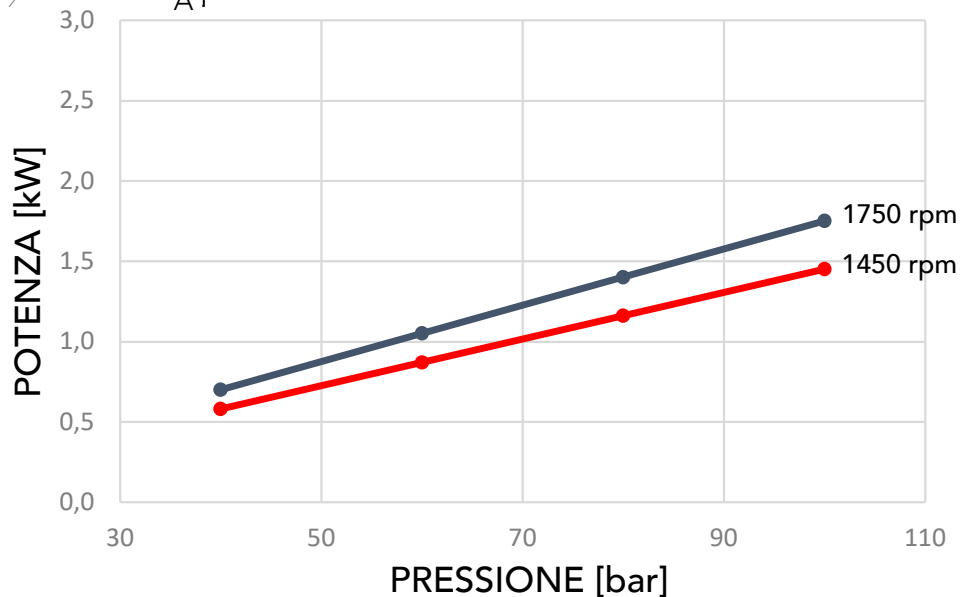
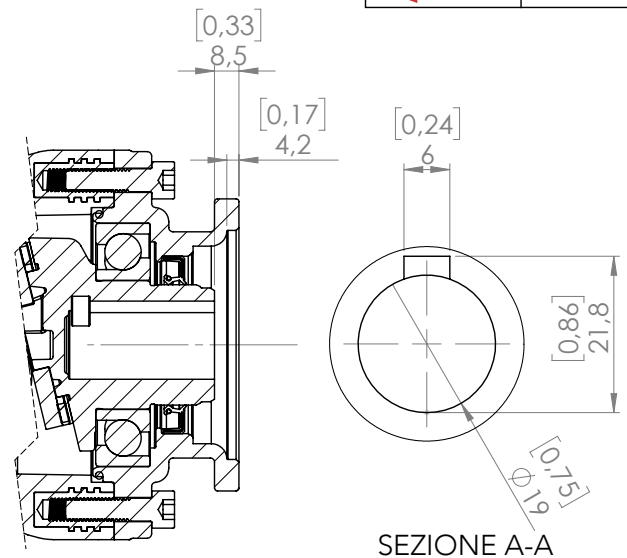
Alpha 1.4.80.D19

MEC 80

codice/code 9301310



	INLET	G1/2" - F
	OUTLET	G3/8" - F



DATI PRESTAZIONALI / PERFORMANCES DATA

	Pressione/Pressure	bar	80	
		psi	1160	
	Giri/RPM	50 Hz	1450	
		60 Hz	1750	
	Portata/Flow rate	50 Hz	l/min	4
			gpm	1.1
		60 Hz	l/min	5
			gpm	1.3
	Motore/Engine	50 Hz	Hp	1.1
			Kw	0.8
		60 Hz	Hp	1.2
			Kw	0.9
	Peso/Weight	Kg	5	
		lbs	11.0	

