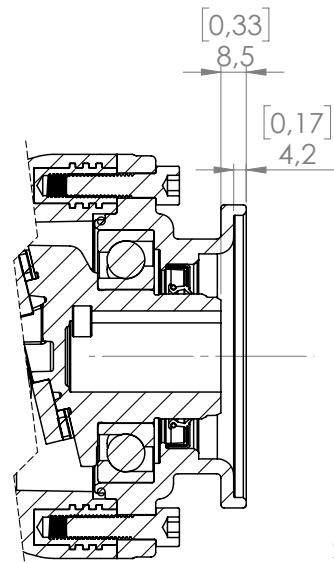
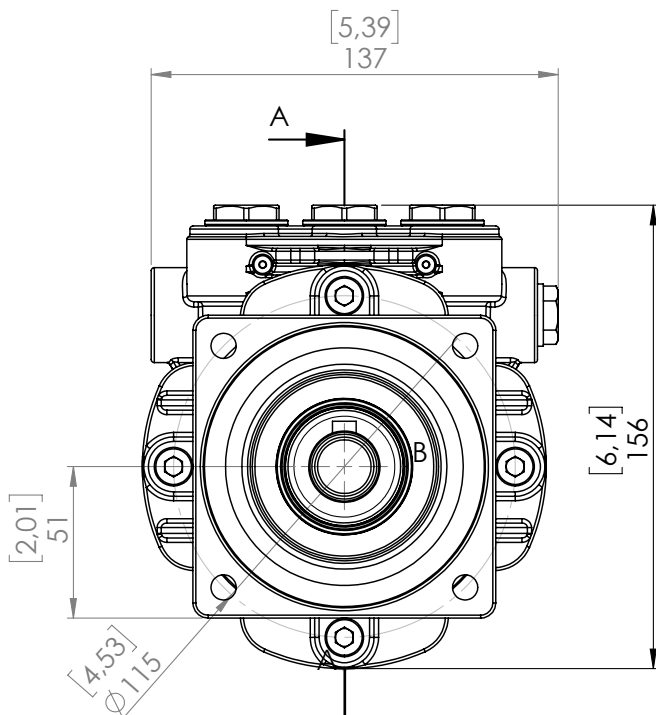
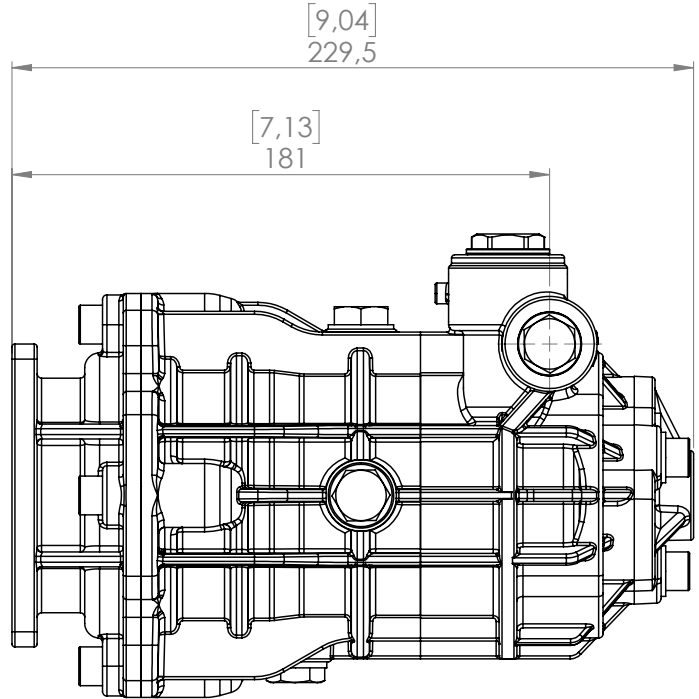
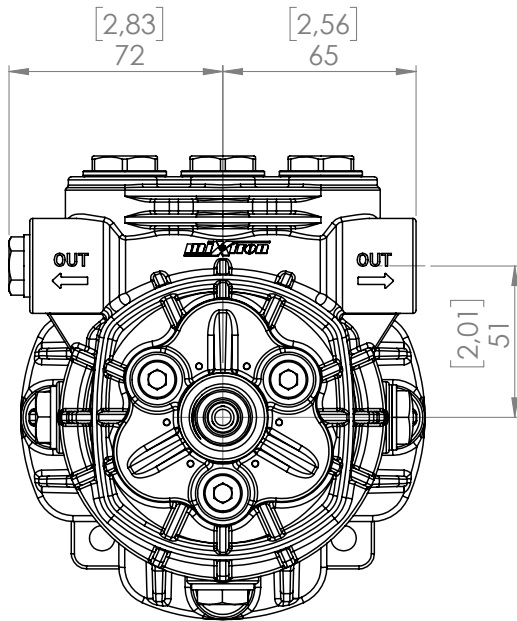




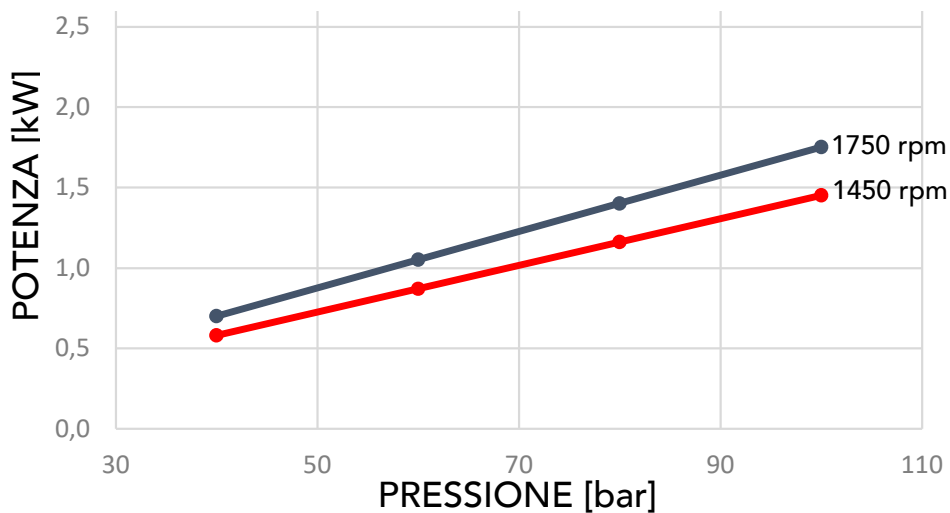
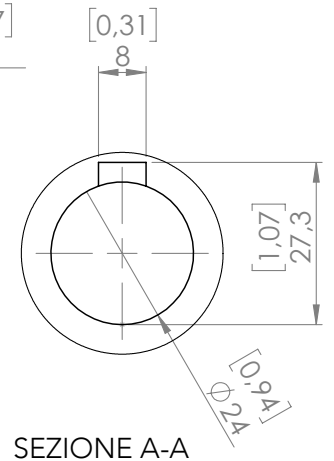
# Alpha 1.6.100.D24

MEC 90






codice/code 9300910



	INLET	G1/2" - F
	OUTLET	G3/8" - F



## DATI PRESTAZIONALI / PERFORMANCES DATA

	Pressione/Pressure	bar	100	
		psi	1450	
	Giri/RPM	50 Hz	1450	
		60 Hz	1750	
	Portata/Flow rate	50 Hz	l/min	6
			gpm	1.6
		60 Hz	l/min	7
			gpm	1.9
	Motore/Engine	50 Hz	Hp	1.8
			Kw	1.3
		60 Hz	Hp	2.2
			Kw	1.6
	Peso/Weight	Kg	5	
		lbs	11.0	

