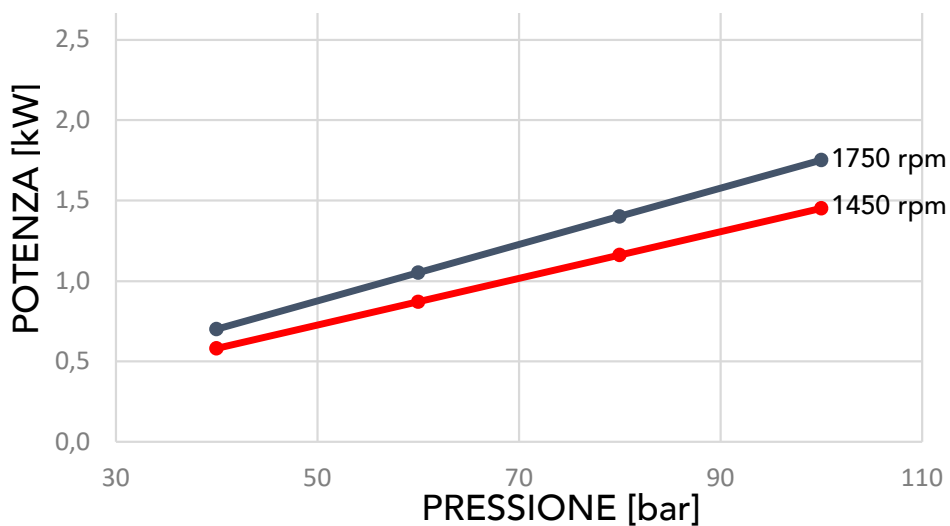
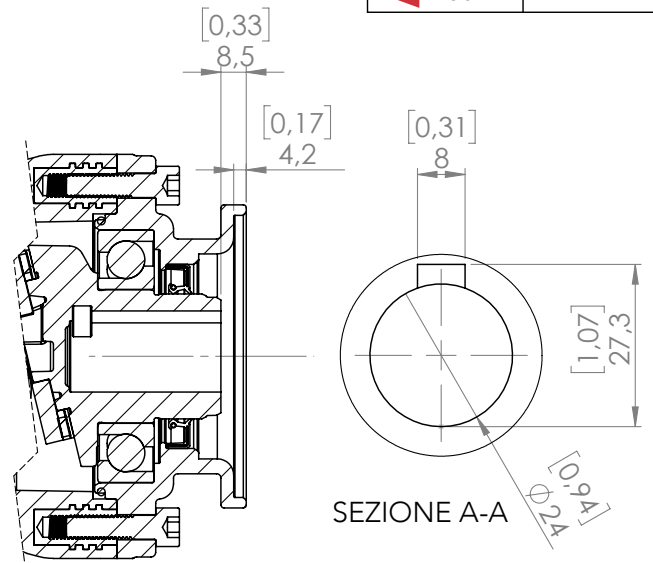
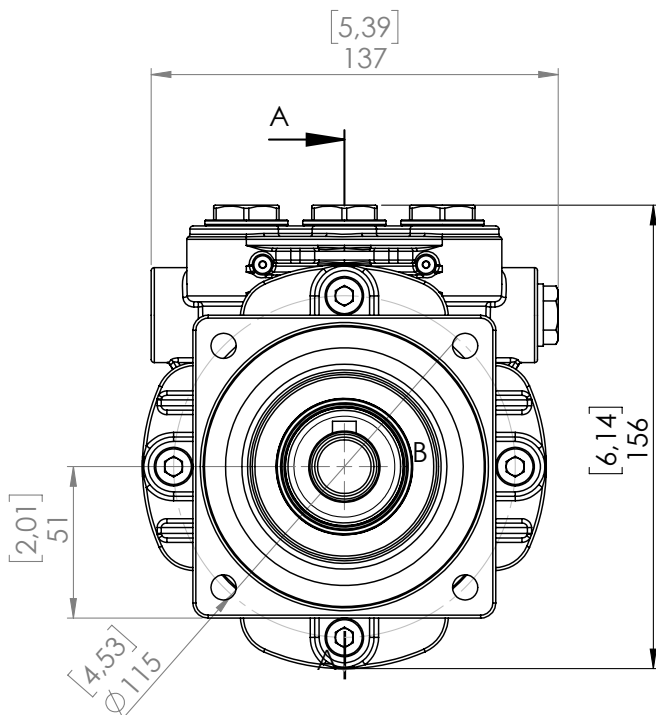
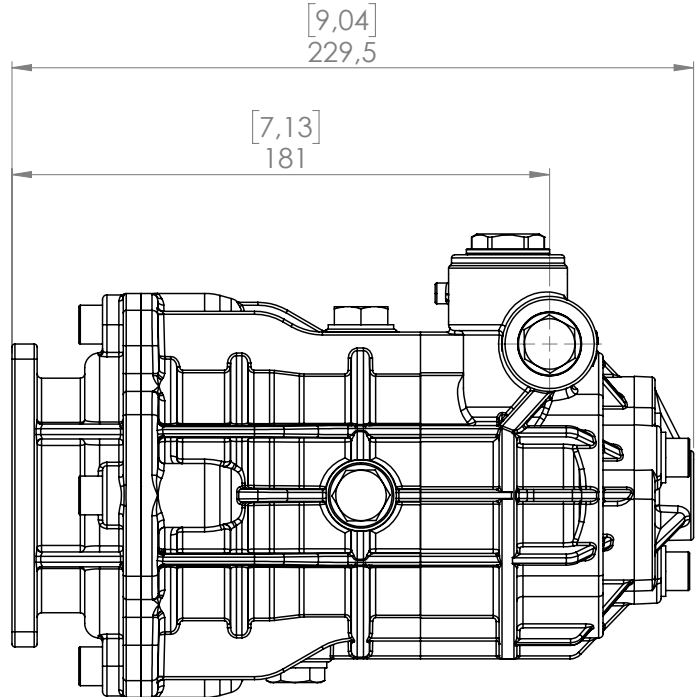
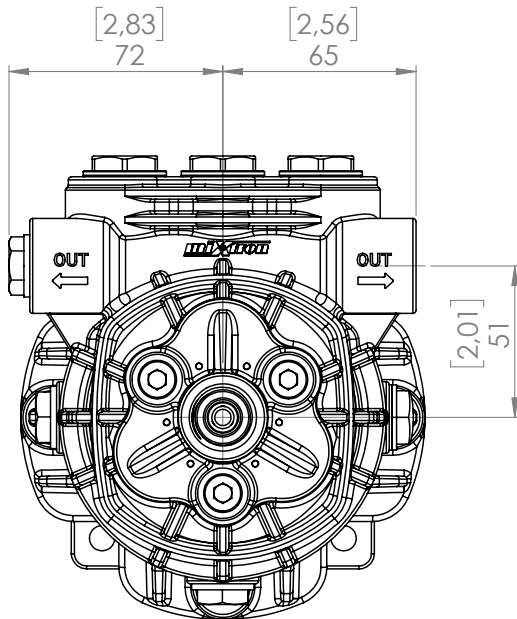









Alpha 1.8.100.D24

MEC 90

codice/code 9301010



DATI PRESTAZIONALI / PERFORMANCES DATA

	Pressione/Pressure	bar	100	
		psi	1450	
	Giri/RPM	50 Hz	1450	
		60 Hz	1750	
	Portata/Flow rate	50 Hz	l/min	8
			gpm	2.1
		60 Hz	l/min	11
			gpm	3.0
	Motore/Engine	50 Hz	Hp	2.3
			Kw	1.6
		60 Hz	Hp	3.2
			Kw	2.3
	Peso/Weight	Kg	5	
		lbs	11.0	

